

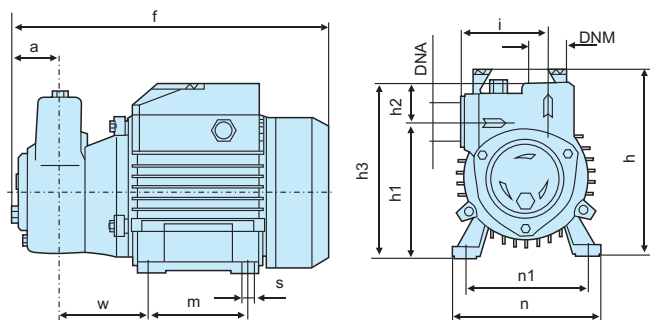
SOP Series Self-sucking Water Pump

APPLICATION

- SOP series self-sucking water pumps are new designed high efficiency house-hold electric pumps, with the motor and the pump mounted together. They have a special designed impeller, which make it good for pumping food oil.
- They are sealed with wear-resistant mechanical sealing, and carry the merits of easy to operate, light weight, high efficiency and relative low consumption of power.

OPERATING CONDITIONS

- Liquid temperature up to 60°C
- Ambient temperature up to 40°C
- Total suction lift up to 9m
- Continuous duty



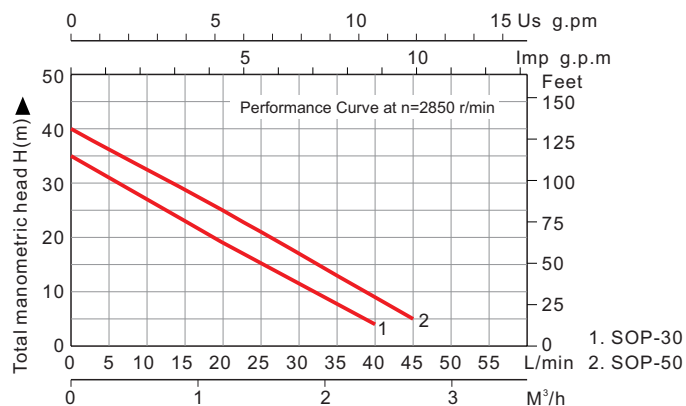
CONSTRUCT

PUMP

Pump Body: Cast Iron
 Impeller: Brass
 Mechanical Seal: Carbon / Ceramic / Stainless Steel

MOTOR

Single Phase
 Heavy Duty Continuous Work
 Motor Housing: Aluminum
 Shaft: Carbon Steel / Stainless Steel
 Insulation: Class B / Class F
 Protection: IP44 / IP54
 Cooling: External Ventilation



TECHNICAL DATA (220~240V/50Hz)

Model	Single-phase Motor			n=2850r/min			US g.p.m	Imp g.p.m	m³/h	L/min	H meter	0	1.32	2.64	3.96	5.28	6.605	7.93	9.25	10.6	12	13	15	15.9	
	Input max	Output Power		Current	Q.max	H.max																			Suct.max
	kW	kW	HP	A	L/min	m	m																		
SOP-30	0.80	0.600	0.80	3.80	40	35	9																		
SOP-50	1.10	0.75	1.00	5.20	45	40																			

Other voltages and frequencies available on request.

OVERALL & INSTALLATION DIMENSIONS

Model	DIMENSIONS (mm)																PACKAGE DIMENSIONS & G.W.				
	DNA		DNM		a	f	h	h1	h2	h3	i	m	n	n1	w	s	A	B	H	kg	
	Inch	mm	Inch	mm																	
SOP-30	1"	25	1"	25	45	291	179	136	31	167	85	90	134	112	77	7	330	150	185	7.5	
SOP-50	1"	25	1"	25	45	291	179	136	31	167	85	90	134	112	77	7	330	150	185	8.3	

