



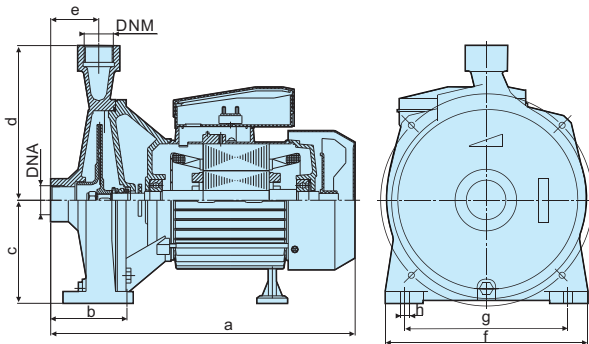
CPW Series Centrifugal Pump

APPLICATION

- Centrifugal pumps with single impeller are able to offer high flow rates, provide smooth, nonpulsating delivery, and regulate the flow rate over a wide range without damaging the pump.
- For the correct functioning of the pump, use clean water, or non-aggressive liquids charged with small solid impurities.
- To be used in flow irrigation system in gardening, agriculture and industrial fittings.

OPERATING CONDITIONS

- Liquid temperature up to 60°C
- Ambient temperature up to 40°C
- Total suction lift up to 9m
- Continuous duty



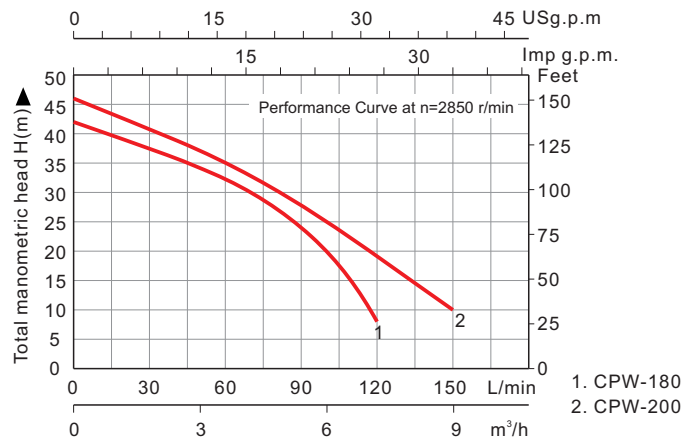
CONSTRUCT

PUMP

Pump Body: Cast Iron
Impeller: Brass
Mechanical Seal: Carbon / Ceramic / Stainless Steel

MOTOR

Single Phase
Heavy Duty Continuous Work
Motor Housing: Aluminum
Shaft: Carbon Steel / Stainless Steel
Insulation: Class B / Class F
Protection: IP44 / IP54
Cooling: External Ventilation



TECHNICAL DATA (220~240V/50Hz)

Model	Single-phase Motor				n=2850r/min			US g.p.m	Imp g.p.m	m³/h	L/min	H meter											
	Input max kW	Output Power kW	HP	Current A	Q.max L/min	H.max m	Suct.max m						0	2.64	5.28	7.93	10.6	13.21	15.9	18.5	21.1	24	26
CPW-180	1.50	1.10	1.50	7.0	120	42	9	0	2.2	4.4	6.6	8.8	11	13.2	15.4	17.6	20	22	26	33			
CPW-200	2.00	1.50	2.00	9.6	150	46		0	0.6	1.2	1.8	2.4	3	3.6	4.2	4.8	5.4	6	7.2	9			
								0	10	20	30	40	50	60	70	80	90	100	120	150			
								42	41	39	37	35	33	32	30	27	25	20	8				
								46	45	43.5	41	39	37	35	33.4	31	28	25	19	10			

Other voltages and frequencies available on request.

OVERALL & INSTALLATION DIMENSIONS

Model	DIMENSIONS (mm)															PACKAGE DIMENSIONS & G.W.				
	DNA		DNM		a	b	c	d	e	f	g	h	i	j	k	l	m	A	B	H
CPW-180	1"	25	1"	25	346	86.5	117	176	54.5	230	185	10	--	--	--	--	370	255	325	20.8
CPW-200	1"	25	1"	25	346	86.5	117	176	54.5	230	185	10	--	--	--	--	370	255	325	23.0